

# PRODUCT DATA SHEET

DAB-151MP • 701389

## PRODUCT DETAILS



The DAB 151MP is a rugged cast iron, twin impeller, self-priming, surface mounted jet pump suitable for use in a wide range of applications and especially where there is the requirement to lift water from the source.

The distinctive front casting contains a jet and venturi which provides suction capability of up to 8m.

Proven over many years the DAB 151MP is embodiment of a 'Dependable DAB'.

## APPLICATIONS

- Supplying water to domestic installations.
- Ideal for use in small-scale agriculture or horticulture
- Pressure boosting, irrigation, wash down or other limited industrial services
- Situations where self priming operation is necessary
- Designed for pumping from tanks, rivers and dams where air bubbles or small particles of sand are present

## FEATURES

- Self priming, excellent suction capability
- 240V single phase TEFC motor with in-built auto reset thermal overload to prevent pump from damage
- Pressure switch with adjustable differential
- Preset cut in 3.1 bar, Cut out 4.8 bar
- Pressure gauge

To protect the pump from excessive cycling and to isolate from the effects of water hammer, adding a pressure tank to the system is highly recommended

BRAND

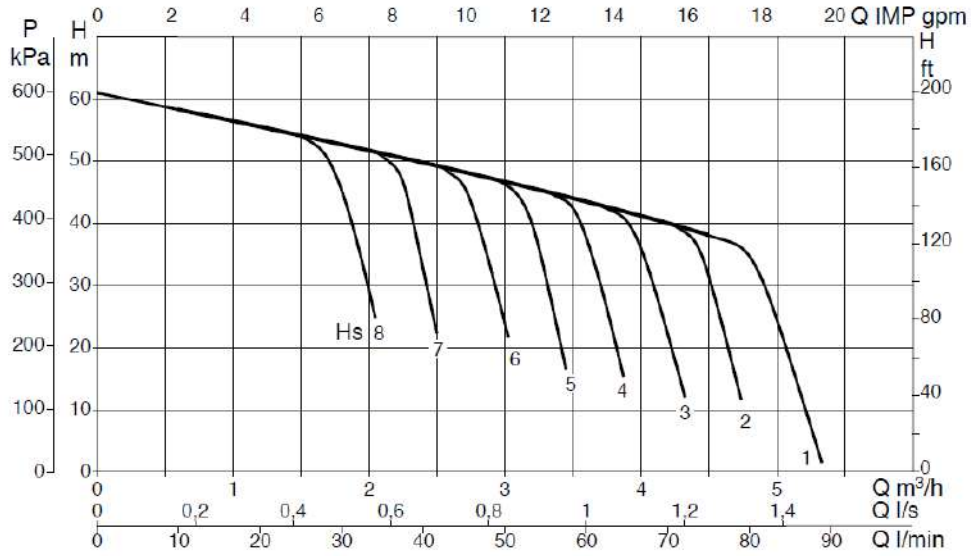


## TECHNICAL DATA

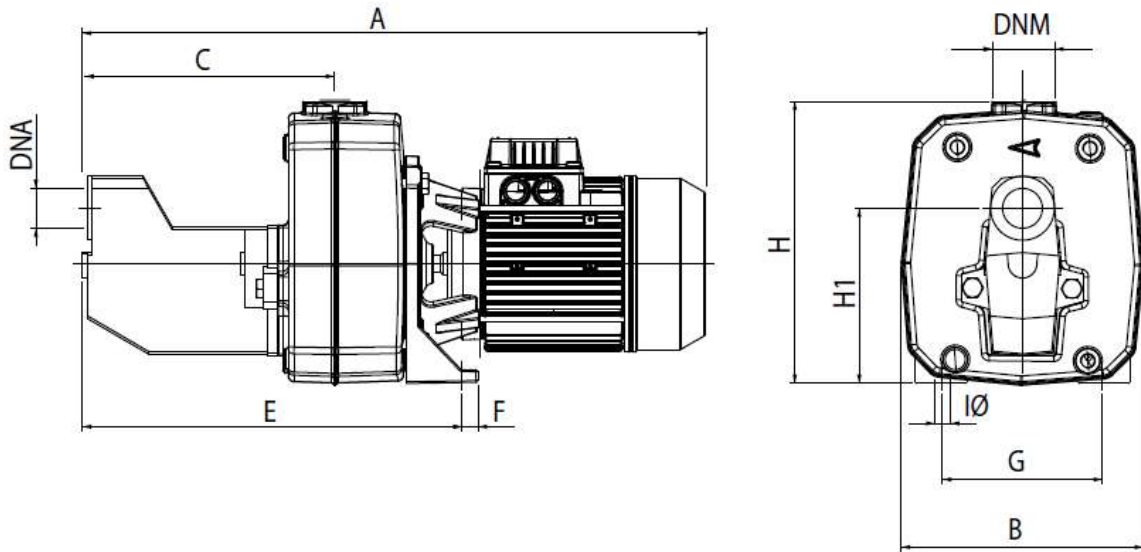
<b>RATED POWER (P2)</b>	1.1kW (1.5hp)
<b>MAX. FLOW [LPM]</b>	75 LPM
<b>MAX. HEAD [M]</b>	75m
<b>MAX. PRESSURE RATING</b>	8 bar
<b>FLUID TEMP RANGE</b>	0 - 35 deg C
<b>MAX. AMBIENT TEMP</b>	40 deg C
<b>PUMP BODY</b>	GJL 200 Cast Iron
<b>IMPELLER</b>	Glass reinforced Noryl
<b>JET, VENTURI, DIFFUSER</b>	Glass reinforced Noryl
<b>MECHANICAL SEAL</b>	Carbon Ceramic Nitrile
<b>O RINGS</b>	Nitrile

<b>RATED VOLTAGE (V)</b>	1~ 220 - 240V 50 hz
<b>RATED CURRENT (A)</b>	7.2A
<b>RATED SPEED (RPM)</b>	2800 - 2 pole
<b>IP RATING</b>	I.P. 44
<b>SUCTION CONNECTION</b>	1 1/4" G (BSP)
<b>DISCHARGE CONNECTION</b>	1" G (BSP)
<b>AUTOMATIC OPERATION</b>	Yes via Pressure Switch
<b>MOTOR PROTECTION</b>	Auto re-setting thermal overload
<b>CAPACITOR</b>	31.5uF 450V +/- 5%
<b>CARTON DIMENSIONS</b>	600mm L x 236mm W x 267mm H
<b>GROSS WEIGHT (KG)</b>	31.5kg

## CURVE



## DIMENSIONS



MODEL	A	B	C	E	F	G	I Ø	H	H1	DNA GAS	DNM GAS
DAB-151MP	558	210	221	350	20	145	11	255	158	1¼"	1"

## WARRANTY / CERTIFICATIONS

